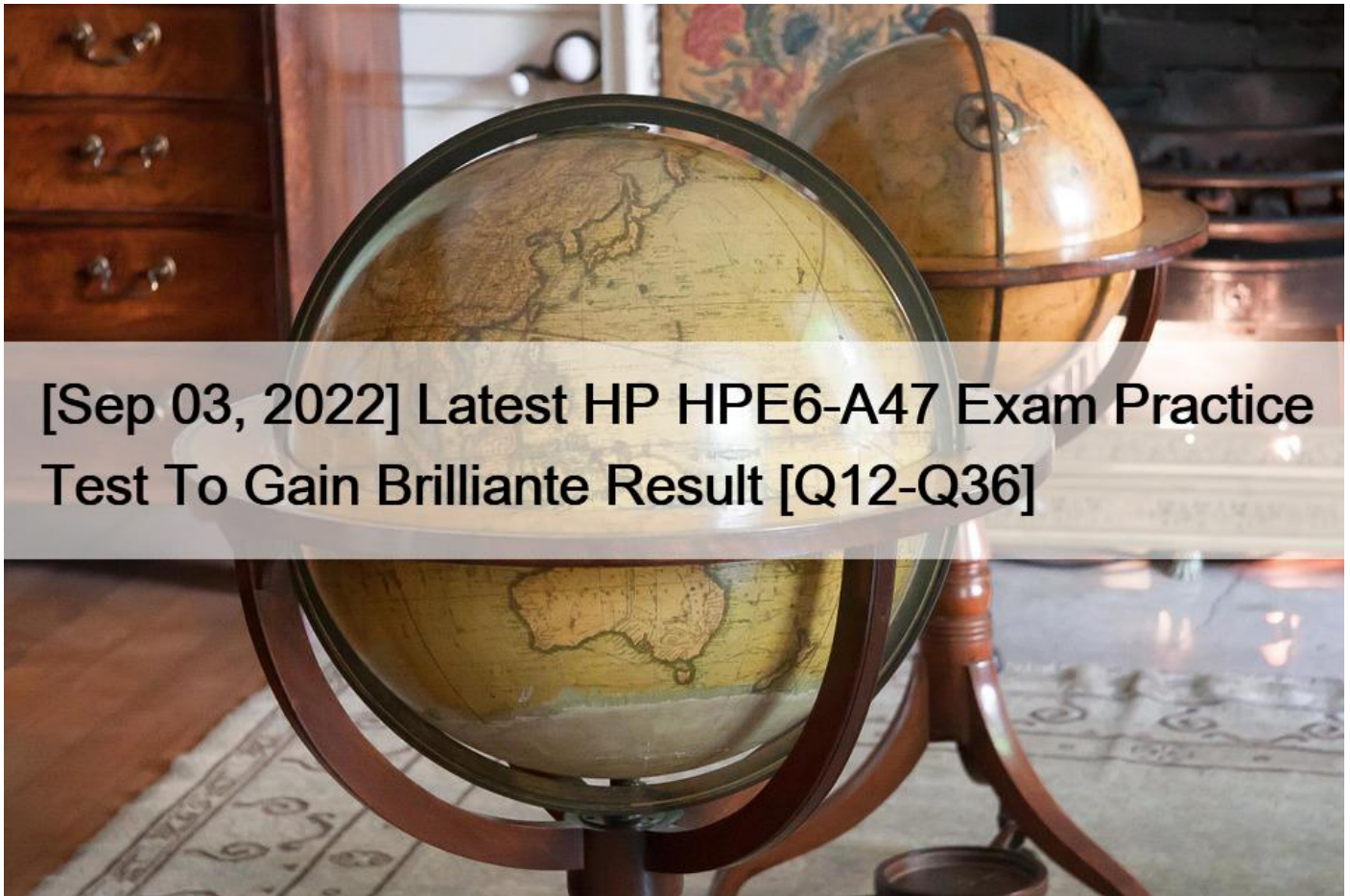


[Sep 03, 2022 Latest HP HPE6-A47 Exam Practice Test To Gain Brilliante Result [Q12-Q36]



[Sep 03, 2022] Latest HP HPE6-A47 Exam Practice Test To Gain Brilliante Result [Q12-Q36]

Latest [Sep 03, 2022] HP HPE6-A47 Exam Practice Test To Gain Brilliante Result
Take a Leap Forward in Your Career by Earning HP HPE6-A47

HP HPE6-A47 Exam Syllabus Topics:

TopicDetailsTopic 1- Given a scenario, evaluate the customer requirements to identify gaps per a gap analysis- Given the customer requirements, design the high-level architectureTopic 2- Given an outline of a customer's needs, determine the information required to create a solutionTopic 3- Given the customer requirements, determine the component details and document the high-level design- choose the appropriate components that should be included on the BOMTopic 4- Given a scenario, translate the business needs of the environment into technical customer requirementsTopic 5- Given the customer's requirements, explain and justify the recommended solution- design and document the logical and physical network solutionsTopic 6- Evaluate the requirements for a single-site campus environment with less than 1000 employees or subsystems of an enterprise-wide networkTopic 7- Given a customer scenario, determine and document a detailed network management design- design and document a detailed network security solutionTopic 8- Given a scenario, select the appropriate products based on the customer technical requirementsTopic 9- Gather and analyze data, and document customer requirements for a single-site campus environment- subsystems of an enterprise-wide networkTopic 10- Select the wired and wireless networking technologies for the design- select components based on the analysis results

NEW QUESTION 12

An architect needs to help a customer design a management and monitoring solution for an Aruba network in an airport. The solution consists of an Aruba Mobility Master (MM), Aruba 7210 MCs, Aruba AP-335s, and Aruba 5496R switches. The architect plans to recommend Aruba AirWare.

The airport has a high-client device turnover and many highly mobile devices. Which changes should the architect make to the recommended solution based on this characteristic?

- * Recommend additional hardware resources beyond those recommended for the typical tested AirWare platform.
- * Recommend extra AirWare device licenses to support the changing number of client devices.
- * Recommend Aruba Central with a Clarity subscription as a more flexible cloud-based solution.
- * Recommend Aruba Central with guest access licensing to increase guest visibility.

NEW QUESTION 13

An architect proposes Aruba 2930F switches, which do not have OOBM ports. The customer wants to follow best practices for network management security. Which guideline can the architect follow?

- * Assign access layer switches IP addresses on a VLAN that is dedicated for switch management.
- * Ensure that DHCP is enabled on only the switch Default VLAN.
- * Ensure that Telnet is enabled and set to listen on production VLANs.
- * Assign switches static IP addresses on the same VLAN on which APs are deployed.

NEW QUESTION 14

Which of the following are valid RAP operating modes?

- * Always, Backup, Standard, Persistent
- * Always, Backup, Tunnel, Persistent
- * Always, Hotel-Connect, Tunnel, Standard
- * Backup, Hotel-Connect, Standard, Persistent
- * Backup, Normal, Tunnel, Always

NEW QUESTION 15

Read this scenario thoroughly, and then answer each question that displays on the right side of the screen.

An architect proposes these products for a customer who wants a wireless and wired upgrade:

- * Aruba 2930M switches at the access layer
- * Aruba 5406R switches at the core
- * Aruba AP-325s

- * Aruba 7205 Mobility Controllers (MCs), deployed in a cluster
- * Aruba Mobility Master (MM)
- * Aruba ClearPass Cx000V
- * Aruba AirWare

The architect also needs to propose a security plan for the solution. The customer has 900 employees and up to 30 guests a day. The customer wants to protect the internal perimeter of the network with authentication and simple access controls. The customer is most concerned about wireless security, but also wants to ensure that only trusted users connect on the wire. However, the customer also wants all wired traffic to be forwarded locally on access layer switches. The customer already has a third-party firewall that protects the data center.

The customer wants to use certificates to authenticate user devices, but is concerned about the complexity of deploying the solution. The architect should recommend a way to simplify. For the most part users connect company-issued laptops to the network. However, users can bring their own devices and connect them to the network. The customer does not know how many devices each user will connect, but expects about two or three per-user. DHCP logs indicate that the network supports a maximum of 2800 devices.

Refer to the provided scenario.

Which solution should the architect recommend on the 2930M switches to authenticate and control wired employee devices?

- * MAC-Auth on edge ports and no tunneled node
- * 802.1X on edge ports and per-user tunneled node
- * 802.1X on edge ports and no tunneled node
- * Mac-Auth on edge ports and per-user tunneled node

NEW QUESTION 16

A plan includes these security settings for the employee WLAN:

- * WPA2-Enterprise with AES encryption
- * 802.1X with PEAP-MSCHAPv2

However, the customer wants to use certificates to authenticate user devices. Which change brings the plan in alignment with the customer requirements?

- * Use EAP-TLS instead of PEAP-MSCHAPv2
- * The TKIP encryption instead of AES.
- * Add WPA2-PSK as an alternative to WPA2-Enterprise.
- * Add Tunneled TLS (TTLS) as an alternative to PEAP-MSCHAPv2.

NEW QUESTION 17

A customer has several clusters of Aruba 325 Instant APs. The customer is happy with the performance of the

current APs, but would like to add a Mobility Controller (MC). What should the architect propose?

- * the purchase of Universal APs that are the same modes as the current APs.

- * Aruba ClearPass to onboard the APs as campus APs in the new MC-based deployment
- * conversion of the existing Instant APs to campus APs (CAPs)
- * a Virtual Mobility Controller (VMC) which can be licensed to control Instant APs

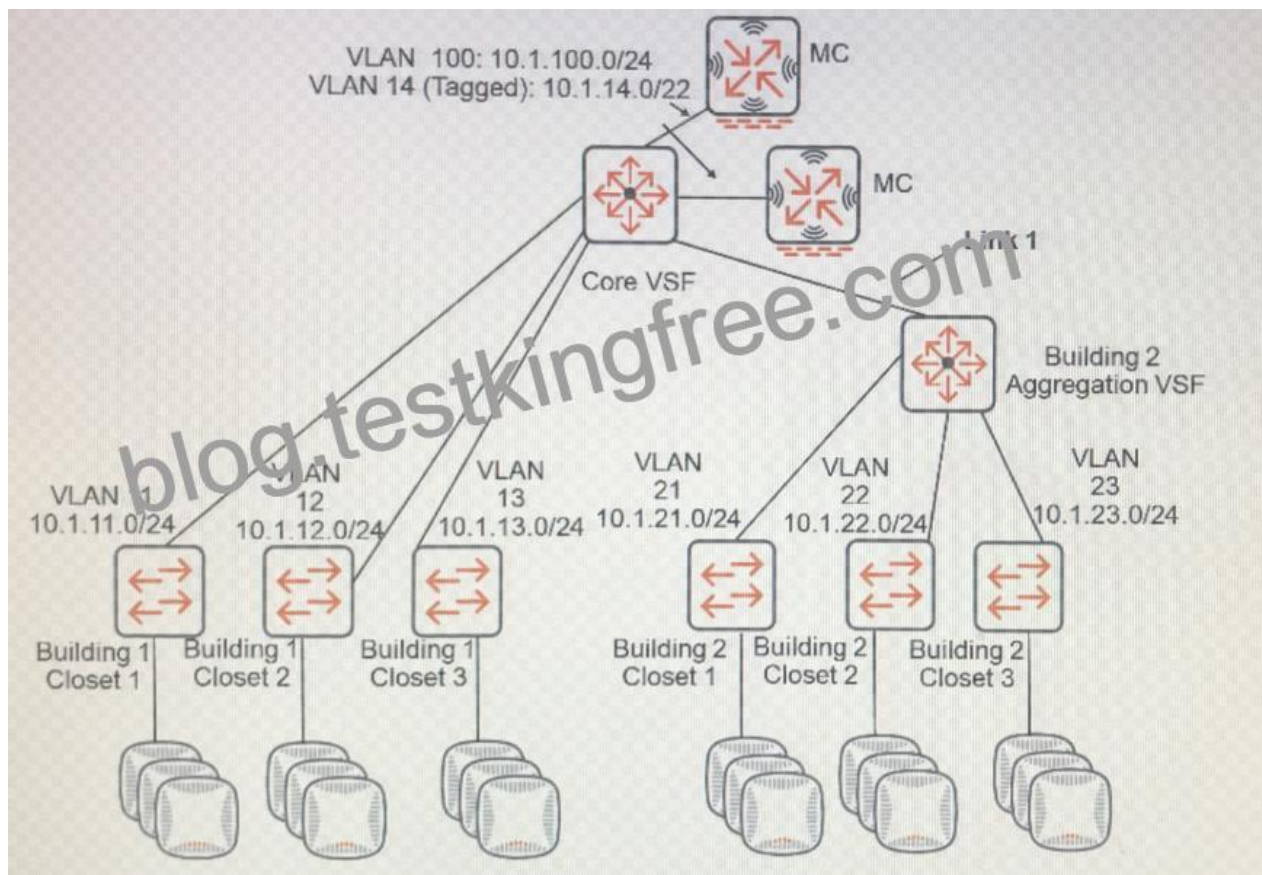
NEW QUESTION 18

An architect plans 128 APs to support 12,800 devices in a very high density (VHD) design. The customer requires high availability, so the architect plans to recommend a pair of controllers. What is one reason to recommend 7210 controllers rather than 7205 controllers for this deployment?

- * the need for high speed 10 GbE ports
- * the need for clustering
- * the number of device required
- * the number of APs required

NEW QUESTION 19

Refer to the exhibit.



The customer needs to expand its wired and wireless network to a new building, Building 2, which is near the existing building, Building 1. The exhibit shows the logical plan that the architect has created so far. The aggregation layer switches in the new building should provide the default gateway services for the VLANs in the new building and route traffic to the core. The existing Aruba Mobility Controllers (MCs) will control the new APs.

What should be the VLAN assignment for Link 1, indicated in the exhibit?

- * an unused VLAN such as 200
- * VLANs 21, 22, and 23 only
- * VLANs 11, 12, 13, 21, 22, and 23
- * the default VLAN and VLAN 14

NEW QUESTION 20

What is the purpose of Mesh Clusters?

- * To separate Mesh points from Mesh Portals.
- * To ensure that mesh APs with the same VAPs are not in the same cluster.
- * To define a group of mesh APs that create mesh links with each other.
- * To cluster mesh APs of the same model together.
- * To enable mesh APs to join the nearest mesh portal cluster.

NEW QUESTION 21

The customer has an office environment with users who have laptops that can connect with wired or wireless.

Users also bring one or two of their own devices. An architect creates a proposal with Aruba AP-325s, 7210 Mobility Controllers (MCs), a Mobility Master (MM), and Aruba 2930M switches at the access layer to support the laptops and APs.

The architect plans to recommend 802.1X authentication without tunneled node on Aruba 2930M switch ports that connect to laptops. What is one advantage of this form of authentication?

- * ensures that Aruba firewall policies apply to wired user traffic.
- * prevents users from connection attempts with more than three devices
- * enables user access control and ensures only authorized users connect.
- * provides a second layer of protection for wireless users at the internal perimeter

NEW QUESTION 22

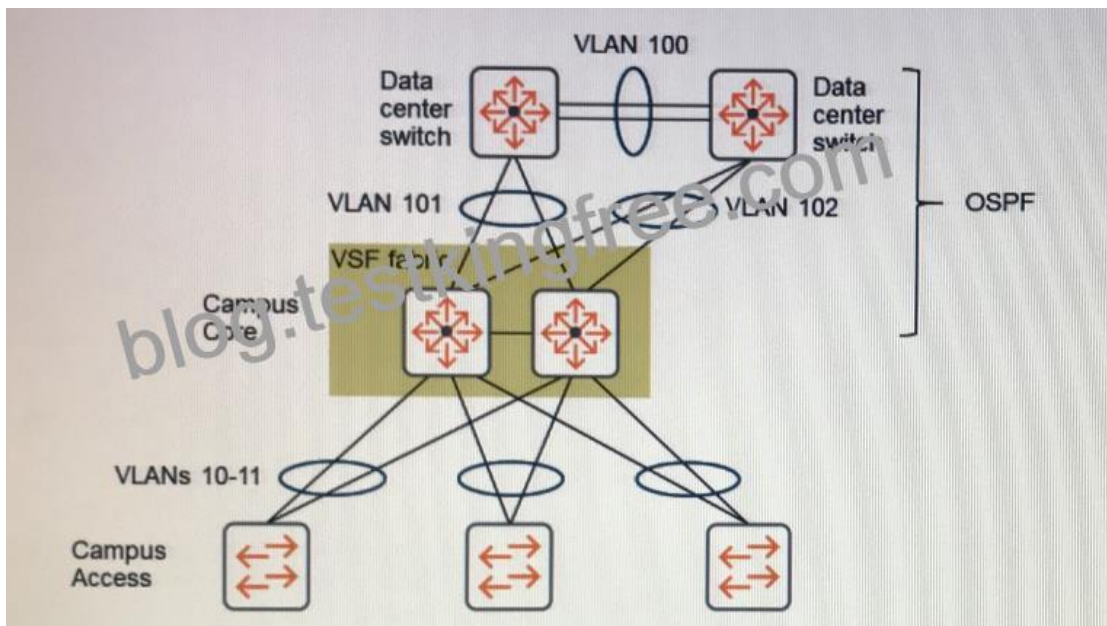
A customer needs an 802.11ac upgrade for an office with cubicles. The customer states that, because they planned locations for the existing 802.11n APs so that there are no coverage holes, they will simply deploy the new 802.11ac APs in the same location as the existing APs. The customer plans to support mobile devices in addition to laptops.

What should the architect explain about why a site survey is desirable to determine the optimal locations for the new APs?

- * An 802ac deployment typically works better with side-mounted, rather than ceiling-mounted, APs, and a site survey will help determine the new mounting locations.
- * The new 802.11ac deployment should have a capacity-based design for the best performance, but the existing deployment sounds like a coverage-based design.
- * 802.11ac AP radios tend to be more sensitive to 2.4 GHz interference than 802.11n APs, so the architect needs to search for all potential sources of such interference.
- * 802.11ac APs can support a higher density of clients, so they can be deployed farther apart than the APs in most existing 802.11n deployments.

NEW QUESTION 23

Refer to the exhibit.



The customer requires fast failover if any one link or core device fails. Which additional technology should the architect plan on the core VSF fabric to meet these criteria?

- * OSPF graceful restart
- * SmartLink
- * BGP
- * VRRP

NEW QUESTION 24

An architect needs to choose between an Aruba Mobility Controller (MC) 7010 or 7024. Which customer need indicates that the 7024 is a better choice than the 7010?

- * the need to support 2000 users or devices
- * the need to support PoE+
- * the need to manage 20 APs
- * the need to connect 20 APs directly to the MC

NEW QUESTION 25

A customer has high security needs, so the network architect proposes dedicated Air Monitors (AMs). What is one additional benefit of the AMs that the architect can explain?

- * If a nearby AP fails, the AM can automatically convert to AP mode to fill in the coverage gap.
- * The AMs can detect a broad range of RF interference and give administrators help in determining the source.
- * During normal operation, the AMs can support clients, as well as detect and mitigate threats on any channel.
- * An AM can help in troubleshooting because it stores detailed statistics about wireless traffic locally.

NEW QUESTION 26

A customer needs a wireless solution upgrade. Among the devices that need wireless access are printers. What information about the printers does the architect need to plan the wireless solution? (Select two.)

- * whether the printers are physically locked down

- * the identify of users who need to access printers
- * whether the printers support Power over Ethernet (PoE)
- * whether the printers support 802.1X
- * the 802.11 standards supported by the printer

NEW QUESTION 27

A customer needs a solution to terminate VPN tunnels for Aruba RAPs. The customer has a single site and a single public IP address for this purpose. Network address translation (NAT) will forward the IPsec traffic to the correct device to terminate the VPN tunnel. The customer also requires N+1 redundancy for the solution. Which solution meets the customer requirements?

- * two Aruba MCs on the same subnet that use VRRP without clustering
- * two Aruba MCs deployed as a Layer 3 cluster
- * two Aruba MCs on different subnets that use VRRP without clustering
- * two Aruba MCs deployed as a Layer 2 cluster

NEW QUESTION 28

An architect plans where to deploy new Aruba 320 Series APs at a customer site. The architect plans for the APs to be installed on the ceiling where power is inaccessible. The Ethernet cable run to these locations is CAT6, and the customer wants to support at least 1 GbE connectivity. The architect plans to connect each AP with one Ethernet port to a switch in a nearby wiring closet.

Which feature does the switch need to support for this deployment?

- * PoE+
- * LACP
- * Port channel
- * Smart Rate

NEW QUESTION 29

An RF plan specifies wide sector directional antennas.

Refer to the antenna specifications.

H-plane refers to the Azimuth or Horizontal plane and E-plane refers to Elevation or Vertical plane.

Antenna 1: H-plane = 360; E-plane = 120

Antenna 2: H-plane = 360; E-plane = 60

Antenna 3: H-plane = 100; E-plane = 90

Antenna 4: H-plane = 60; E-plane = 60

Which antenna specifications indicate that the antenna is a good choice for the plan?

- * Antenna 1
- * Antenna 2

- * Antenna 3
- * Antenna 4

NEW QUESTION 30

A customer requires high availability for wireless services, including stateful failover for user connections if the Mobility Controller (MC) that handles the user traffic fails. What is the requirement for the design?

- * MCs are deployed in a cluster, and they are on the same VLAN
- * MCs are distributed across each VLAN on which APs are deployed and have VRRP enabled.
- * MCs have a standby master IP address assigned to them.
- * MCs have enough licenses to support the APs for which they are active and standby MC.

NEW QUESTION 31

Read this scenario thoroughly, and then answer each question that displays on the right side of the screen.

An architect proposes these products for a customer who wants a wireless and wired upgrade:

- * Aruba 2930M switches at the access layer
- * Aruba 5406R switches at the core
- * Aruba AP-325s
- * Aruba 7205 Mobility Controllers (MCs), deployed in a cluster
- * Aruba Mobility Master (MM)
- * Aruba ClearPass Cx000V
- * Aruba AirWare

The architect also needs to propose a security plan for the solution. The customer has 900 employees and up to 30 guests a day. The customer wants to protect the internal perimeter of the network with authentication and simple access controls. The customer is most concerned about wireless security, but also wants to ensure that only trusted users connect on the wire. However, the customer also wants all wired traffic to be forwarded locally on access layer switches. The customer already has a third-party firewall that protects the data center. The customer wants to use certificates to authenticate user devices, but is concerned about the complexity of deploying the solution. The architect should recommend a way to simplify. For the most part users connect company-issued laptops to the network. However, users can bring their own devices and connect them to the network. The customer does not know how many devices each user will connect, but expects about two or

three per-user. DHCP logs indicate that the network supports a maximum of 2800 devices.

Refer to the provided scenario. Which ClearPass licenses should the architect include in the proposal?

- * 1,000 Access licenses and 1000 Onboard licenses
- * 1,000 Access licenses and 3,000 (3×1000) Onboard licenses
- * 3,000 Access licenses (3×1000) and 1000 Onboard licenses
- * 3,000 Access licenses and 3,000 (3×1000) Onboard licenses

NEW QUESTION 32

An architect plans where to deploy new Aruba 320 Series APs at a customer site. The architect plans for the APs to be installed on the ceiling where power is inaccessible. The Ethernet cable run to these locations is CAT6, and the customer wants to support at least 1 GbE connectivity. The architect plans to connect each AP with one Ethernet port to a switch in a nearby wiring closet.

Which feature does the switch need to support for this deployment?

- * PoE+
- * LACP
- * Port channel
- * Smart Rate

NEW QUESTION 33

The customer has an office environment with users who have laptops that can connect with wired or wireless. Users also bring one or two of their own devices. An architect creates a proposal with Aruba AP-

325s, 7210 Mobility Controllers (MCs), a Mobility Master (MM), and Aruba 2930M switches at the access layer to support the laptops and APs.

The architect plans to recommend 802.1X authentication without tunneled node on Aruba 2930M switch ports that connect to laptops. What is one advantage of this form of authentication?

- * ensures that Aruba firewall policies apply to wired user traffic.
- * prevents users from connection attempts with more than three devices
- * enables user access control and ensures only authorized users connect.
- * provides a second layer of protection for wireless users at the internal perimeter

NEW QUESTION 34

A Remote AP provisioned with an SSID in “Bridged” forwarding mode has which one of the following characteristics?

- * The client obtains its IP address from the controller.
- * The client’s default gateway must be the controller.
- * The client traffic is forwarded through a GRE tunnel to the controller.
- * The client’s default gateway may be the Access Point or a local gateway.
- * The client’s authentication must be 802.1X.

NEW QUESTION 35

When configuring Fast Failover what are the 3 HA roles that can be selected? (Choose three)

- * Primary

- * Active
- * Dual
- * Standby
- * Backup

NEW QUESTION 36

A customer needs a solution to terminate VPN tunnels for Aruba RAPs. The customer has a single site and a single public IP address for this purpose. Network address translation (NAT) will forward the IPsec traffic to the correct device to terminate the VPN tunnel. The customer also requires N+1 redundancy for the solution.

Which solution meets the customer requirements?

- * two Aruba MCs on the same subnet that use VRRP without clustering
- * two Aruba MCs deployed as a Layer 3 cluster
- * two Aruba MCs on different subnets that use VRRP without clustering
- * two Aruba MCs deployed as a Layer 2 cluster

Explanation

Authentic Best resources for HPE6-A47 Online Practice Exam:

<https://www.testkingfree.com/HP/HPE6-A47-practice-exam-dumps.html>